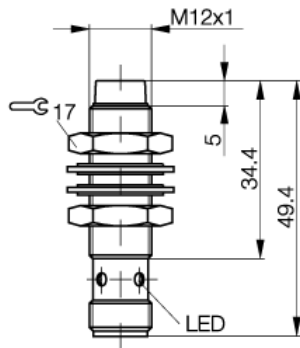


BES 516-356-E5-C-S 4
Inductive Sensors

PNP
NO
non flush mountable

BALLUFF
sensors worldwide



PX1340

Electrical data:

| | |
|---------------------------------|-----------|
| Connection | connector |
| Rated operational voltage (Ue) | 24 DC V |
| Load current capacity (Ie) | 200 mA |
| Time delay before availability | 10 ms |
| Electrical type | DC |
| Utilization category | DC 13 |
| Hysteresis max (H) | 15 % |
| No-load supply current damped | = 10 mA |
| No-load supply current undamped | = 10 mA |
| Off-state current max (Ir) | 30 µA |
| Ripple max. of Ue | = 15 % |
| Switching output | PNP |
| Switching element function | NO |
| Operating frequency (f) | 2000 Hz |
| Voltage drop max. static | 2 V |
| Supply voltage max. (Ub) | 30 V |
| Supply voltage min. (Ub) | 10 V |

Mechanical data:

| | |
|-------------------------------|---------------------|
| Number of Wires | 3-wire |
| Rated operating distance (sn) | 4 mm |
| Diameter | M12x1 mm |
| Assured operating distance | 0...3,2 mm |
| Mounting | non flush mountable |
| Ambient temperature max | +70 °C |
| Ambient temperature min | -25 °C |
| Degree of pollution | 3 |
| Sensing face material | PBTP |
| Housing material | CuZn, nickel plated |
| Repeat accuracy max. (R) | = 5 % |

General data:

| | |
|-------------------------------------|--------------------|
| Output indication | yes |
| Short circuit protected | yes |
| Degree of protection IP | IP68 per BWN Pr 20 |
| Protected against polarity reversal | yes |
| Approval | CE,ULZ1 |

wiring



Pinout



www.balluff.com

Balluff Europe: +49 7158 173 -0
Balluff USA: 1-800-54 3-83 90
Balluff Asia: +86 21-50 64 41 31

Online Productinformation
2008-02-15