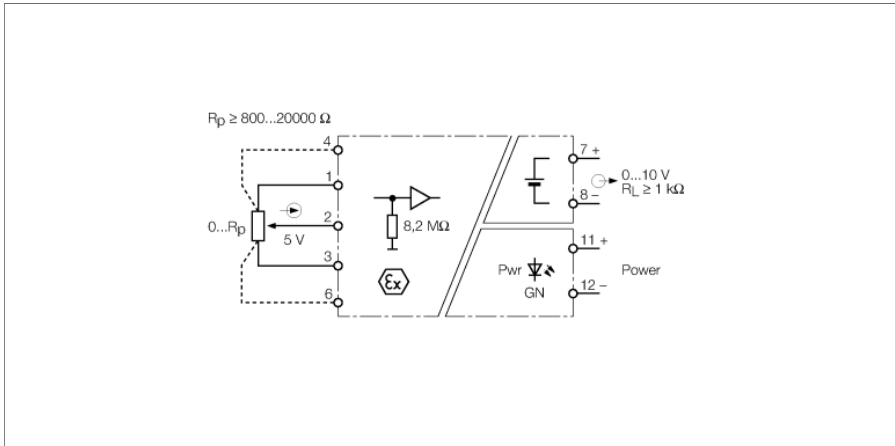
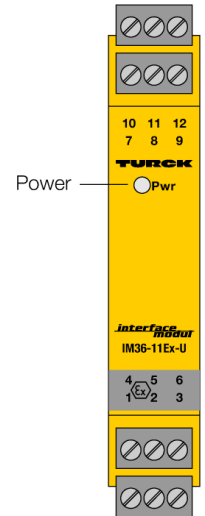


**Potentiometer amplifier
1-channel
IM36-11EX-U/24VDC**



The 1-channel potentiometer amplifier IM36-11EX-U/24VDC is designed to transmit signals from 3 or 5-wire potentiometers galvanically isolated from the Ex area to the non-Ex area and to convert them into normalized 0...10 V analog signals. The resistance value of the wiper contact, ranging from 0 Ω to the nominal resistance value (final value) of the potentiometer, is detected and processed linearly.

A potentiometer is defined by its nominal resistance. Any potentiometer can be connected, provided the nominal resistance is 800 ... 200000 Ω. Common potentiometers featuring a nominal resistance of 1 kΩ or 10 kΩ can thus be used. The admissible line resistance is maximally 50 Ω with a potentiometer resistance of 800 Ω.

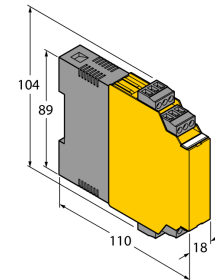


- ATEX, TR CU
- Transmission of potentiometer signals from the Ex area
- Potentiometer, nominal resistance: 0.8...20 kΩ
- Output circuit: 0...10 V
- Complete galvanic isolation

**Potentiometer amplifier
1-channel
IM36-11EX-U/24VDC**

Type code	IM36-11EX-U/24VDC									
Ident no.	7509526									
Nominal voltage	24 VDC									
Operating voltage range	19...29 VDC									
Power consumption	≤ 2 W									
Input circuits	potentiometer									
Potentiometer input	potentiometer									
Cable resistance	≤ 50 Ω									
Voltage on resistor	5 VDC									
Nominal resistance	0.8...20 kΩ									
Output circuits										
Output voltage	0...10 V									
Measuring accuracy	≤ 0.3 % of full scale									
Galvanic isolation										
Test voltage	2.5 kV									
Ex approval acc. to conformity certificate	TÜV 99 ATEX 1405									
Application area	II (1) G									
ignition protection category	[EEx ia] IIC									
Max. values:	Terminal connection: 1...6									
Max. output voltage U_o	≤ 13.8 V									
Max. output current I_o	≤ 35 mA									
Max. output power P_o	≤ 121 mW									
Characteristic	linear									
Rated voltage	250 V									
External inductance/capacitance L_o/C_o										
	<table border="1"> <thead> <tr> <th></th> <th>EEx ia IIC</th> <th>EEx ia IIB</th> </tr> </thead> <tbody> <tr> <td>L_o [mH]</td> <td>20,0</td> <td>100,0</td> </tr> <tr> <td>C_o [nF]</td> <td>760</td> <td>4900</td> </tr> </tbody> </table>		EEx ia IIC	EEx ia IIB	L_o [mH]	20,0	100,0	C_o [nF]	760	4900
	EEx ia IIC	EEx ia IIB								
L_o [mH]	20,0	100,0								
C_o [nF]	760	4900								
Indication										
Operational readiness	green									
IP Rating	IP20									
Flammability class acc. to UL 94	V-0									
Ambient temperature	-25 ...+60 °C									
Storage temperature	-40...+80°C									
Dimensions	104 x 18 x 110 mm									
Weight	125 g									
Mounting instruction	for DIN rail / panel									
Housing material	polycarbonate/ABS									
Electrical connection	4 x 3-pin removable terminal blocks, reverse polarity protected, screw connection									
Terminal cross-section	1 x 2.5 mm ² / 2 x 1.5 mm ²									
Tightening torque	0.5 Nm									

Dimensions



Accessories

Type code	Ident no.	Description	Design
IM-CC-3X2BU/2BK	6900475	Cage clamp terminals for IM modules (Ex-devices with 18 mm overall width); includes: 2 pcs. 3-pin blue terminals and 2 pcs. 3-pin black terminals.	